

# HARMONICS



THE VOICE OF THE ROWAN AMATEUR RADIO SOCIETY

February 2009 -Issue 273



## Minutes 1-11-09

The RARS met at 7:00 PM at the Rufty-Homes Senior Center. Present: Tommie Wood, **N4YZ**; Ralph Brown, **WB4AQK**; Wayne Ashworth, **W4HG**; Nona Morris, **KA4NHL**; Frank Waring, **AF4D**; Larry Wright, **N4QY**; Holland (Bud) Bost, **K4AGO**; Richard Beck **KG4BAU**, and Ann Beck; Clarence Beaver, **K4SHU**; Rick Wallace, **K4PM** Ralph Mowery, **KU4PT**; Derwood Puckett, **K4PX**; Butch Edge, **W4WEE**; Jim Earnhardt, **K4JME**; Nelson Large, **W4FQV**; and Guest Glenn Stebe, glenn.t.stebe@US.Army.mil.

Minutes of December 9, 2008 were read. Frank Waring, **AF4D**, made the motion to accept the minutes. It was seconded by Larry Wright, **N4QY**. The motion passed.

Treasurers report will be given by Ralph Brown in February for the year when he gets it all together.

## Contents

<b>January Minutes</b> .....	<b>1</b>
<b>February meeting</b> .....	<b>.2</b>
<b>Financial Report</b> .....	<b>3</b>
<b>Crystal Radio part 2</b> .....	<b>3</b>
<b>Happenings</b> .....	<b>4</b>

Old Business – The incorporation papers for Rowan Amateur Radio Society have been mailed to Raleigh. How long we will find out when they come back through. Our "free" lawyer finally came through. Cost us \$ 60 dollars to the State. When all is said and done we will send a letter of thank you to Cecil Whitney for saving us a few bucks.

The Hospice Care Center sent us a letter thanking us for the \$25 dollars we sent them in honor of Silent Key, Tom Neil, **KG4UQU**. He signed off November 14, 2008.

Tommie Wood, **N4YZ** , plans to have the program PSK 31 in February. He has been too busy to get it set up.

Starting in March, The Vice President, Wayne Ashworth, **W4HG**, will be in touch with various members, so you will get an assignment of a programs of a month. If you don't want to give a program on something you are interested in, you will need to get someone to give a program for you. We are interested in radio but if not some thing, trips, soldering coax, and etc.

Tommie said once we get our incorporation papers back we are going to get a tax ID number. Tommie has already talked to Food Lion and when we get the Tax number, he is going to register Rowan Amateur Radio Society with Food Lion. Then you can register your MVP card, so we can get a percentage of everybody's groceries that is bought on the MVP card. We can get as much as \$350.00 a quarter. Tommie will get the instruction on how you can go on line and register your MVP card on line. Then the club will get a percentage once a quarter.

Discussion was had on a letter from the Red Cross about setting up a station at Rufty Homes. Rufty Homes is considering setting up a shelter for people, 65 years old and older. Clarence Beaver, **K4SHU**, is on the board and they are setting up things to do that fill in with the Red Cross and so forth. Tommie's only concern is the actual cost. We have equipment but we would have to have a place where it could be set up and locked up so the equipment would not be messed with. There is equipment set up at the Red Cross office which we have not been active in a year. It is still in the making and for old folks. Clarence will find out more information on it. Salisbury is not set up for a real emergency. Hope nothing will happen to the Tower in Granite Quarry and there is no emergency coordinator for Amateurs in Rowan Co. now. We have one person who said "If no one else didn't take it by the first of the year he would take it". But Gary Hattaway might have to pick up and move due to his work.

Carl Starnes, **W4EAT**, from Albemarle, told Ralph Brown of some Cub Scouts that wanted a program on radio for the boys. Ralph Brown will try to find the name of the person to contact. The High Point Radio club is doing something with crystal radio with children. It is a simple process and doesn't cost a lot to do with children. Billie Stewart, **WA4PVI**, has done some classes with some Boy Scouts.

Dan Kirk, **WB4RGS**, has been in the hospital with complication with his leg from a fall down the neighbors basement steps. Nothing broke, he had bleeding deep in the leg which caused his leg to swell and give him a lot of trouble. He is good now.

Wayne Ashworth ask if anyone had looked at information on QRZ.com. They have changed their format. In the last couple months or so and you can not only get the information you used to get, but it also get you a map and show you where you are on the map, a google map. You can change the information if it is wrong; you can look up other hams.

Tommie Wood ask if any one would adjourn the meeting. Derwood Puckett, **K4PXU**, made the mo-

**The Rowan Amateur Radio Society**  
**P. O. Box 593**  
**Salisbury, NC 28145**

The Rowan amateur Radio Society exists to secure for its members the pleasures and benefits of associating with persons commonly interested in amateur radio in any and all its facets. Its purpose is to facilitate the exchange of information, radio knowledge, fraternalism and individual operating efficiency among members. Society programs and activities are intended to advance the general interest and welfare of amateur radio in the general community.

The Society is a nonprofit organization and seeks no payment for services it provides the community's agencies.

**Membership**

Membership in the Society is open to all applicants who express a willingness to abide by the Society's Constitution and By-laws. Persons may apply at regular meetings and are considered elected when approved by two-thirds of those members present

**Meetings**

Regular meetings are held on the second Monday night of the month at 7:00 PM at the Rufty-Holmes senior Center at 1120 Martin Luther King Jr. Ave S.

**2008 Officers**

President - Tommie Wood, N4YZ, 704-637-0024  
woodt@earthlink.net

Vice-Pres. - Wayne Ashworth, W4HG, 704-633-9330  
w4hg@arrl.net

Secretary - Nona Morris, KA4NHL, 704-278-4960  
morrisonona@aol.com

Treasurer - Ralph Brown, WB4AQQ, 704-636-5902  
rkbrown5902@bellsouth.net

*Harmonics*, the club newsletter is published mostly monthly. Submit articles, complaints, corrections, or comments to the club Editor. Material may be reprinted provided proper credit is given.

Editor - Ralph Brown, WB4AQQ

On the web

www.RowanARS.org

**February meeting**

**This happening will take place on 02/09/09  
at the Rufty -Holmes Senior Center at 7:00  
PM.**

**President Tommie has vowed that this  
month he really will have the program on  
PSK31 - - - that was promised last month.**

**There are still just a few "former" mem-  
bers who haven't paid 2009 dues. Maybe the  
last font wasn't large enough.**

**DUES ARE DUE**

tion for the meeting to adjourn, seconded by Frank Waring. The motion passed.

Nona Morris, **KA4NHL**, Secretary

.....

## Financial report

January 1 - February 1

**Brought Forward** .....\$3652.43

**Income:**

Dues .....45.00

Donations - Refresh. .... 11.76

**Total** ..... **\$3709.43**

**Expenses:**

Incorporation ..... 60.00

Refreshments ..... 11.72

**Total** ..... **71.72**

**Balance** ..... **\$3637.47**

**McGinnis (WD4KJZ) fund** .... **\$330021**

.....

## Crystal Radio part 2

*This is the second article in a three part series on Crystal Radios presented by Chris Horne, **W4CKH**. Part one was in last month's HPARC newsletter.)*

Please refer to the image. If you want to purchase a good crystal radio set, please consider < <http://www.peeblesoriginals.com/>>. Model Crystal Radio Set -002 isa good choice for the beginner

(I've added some more sources at the end.- Editor)

You should consider building this kit with your grandson or grand daughter. This crystal radio set uses the 28 gauge magnet wire for the loading coil and air variable capacitor. The detector is a 1N34A germanium diode. Germanium is used rather than silicon because the "turn-on" voltage is lower for Ge.

Another way to say this is silicon diodes are not a good choice because their much higher barrier potential requires larger signals for efficient rectification. The 1N34A germanium diode is the modern substitute for galena and most other germanium small-signal diodes will also work well.

You will also need to use a low impedance ear-plug (headphone) like the ones Radio Shack sells.

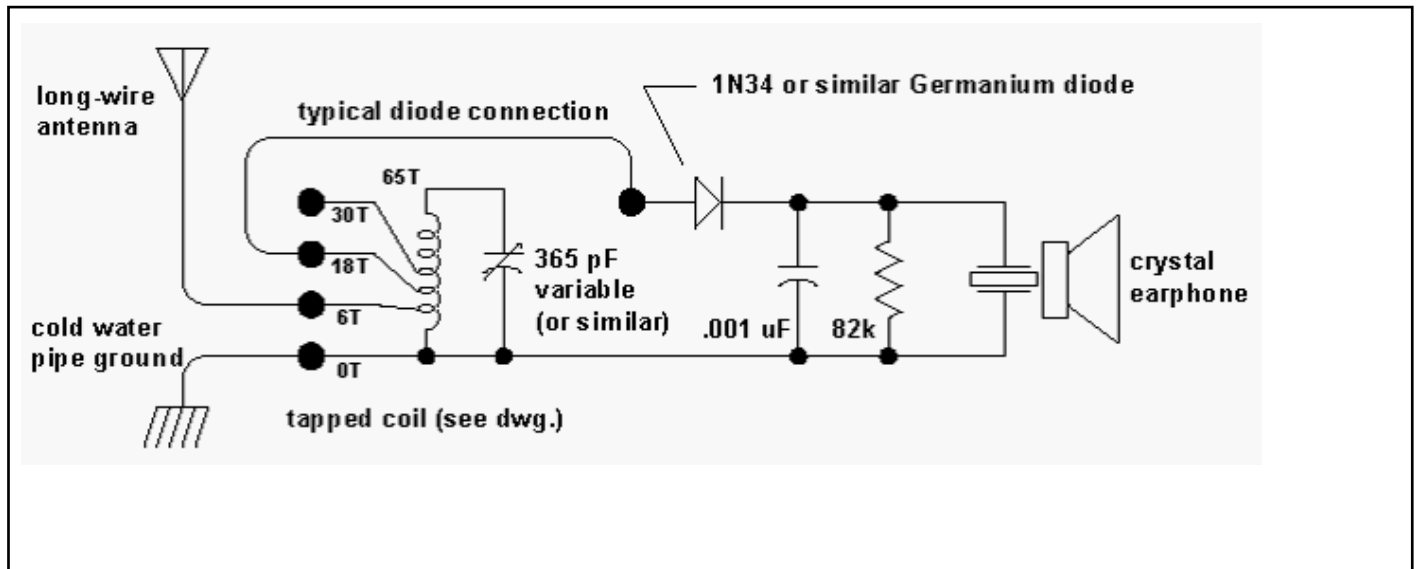
Following are some sites, out of the hundreds on the internet, thst I thought interesting. The first might interest anyone interested in calculations of L and C. Editor

<http://www.electronics-tutorials.com/receivers/crystal-radio-set.htm>

<http://www.midnightscience.com/>

<http://www.icestuff.com/~energy21/uniquecrystalradio.htm>

.....



## Happenings

### Straight Key Night

If you have time, see a nice video of operation during the SKN activities, New Years Eve & NY Day, 2009

<http://www.viddler.com/explore/GOATHiker/videos/10/> Thanks to Al, *W8ut*, in the NBARC Newsletter

### Charlotte HF Site

I assume you all got the flyer, but if you didn't or haven't heard, this may be news.

The Roanoke Division Convention was originally scheduled to be held in downtown Charlotte. However, due to rising costs, it is being moved to the Cabarrus Arena and Event Center in Concord, NC. For additional information, please visit the hamfest web page at <http://www.w4bfb.org/hamfest2009/hamfest.html>

### HAMFESTS

Feb. 7, 2009 Richmond Frostfest at The Richmond Raceway Complex <http://www.frostfest.com/>

Mar. 14 & 15 Charlotte Hamfest, new location, in Concord, NC <http://www.w4bfb.org/>

Apr. 5, 2009 Kinston Down East <http://downeasthamfest.org/>

Apr. 11, 2009 RARSFest <http://rars.org/hamfest/>  
Practice Ham

### TV Switch - Analog to Digital

You all do know that the FCC has suggested/asked hams to assist their neighbors in this change-over. . . Don't you?

I read a pretty good article written by Gordon West in the February issue of "CQ". (which I now get because they bought "Worldradio". I still get "Worldradio" on line. You can too if you want. It is free. Go to [www.cq-amateur-radio.com](http://www.cq-amateur-radio.com) and follow the link to sign up.)

I thought I'd pass on a few points he made in case any of the readers didn't get CQ.

First, he says that most people won't have a clue as to how to actually get things hooked up, so they will be knocking on the ham's door for help. I'm not sure about that.

Next he says that, assuming the neighbor has a decent TV antenna, the converter box will also give him solid reception on high VHF and UHF frequencies. You can call it 30 minutes of public service to tie in the converter and show them how to run through their new channels . . . x4. Most networks will transmit the digital main program on one of four reception slots, allowing the viewer to select from three other digital alternate programs. Each digital channel has 4 viewing options, one of which is always the main channel. The others may be weather, headlines, or other programming. In some cases two or more of the subchannels may be the same program with higher definition.

Do some "blank screen" teaching since digital reception is different from just scrolling through channels. Many analog sets will take as much as five seconds to lock on to the signal when you change channels. This is caused by the digital converter taking time to process the incoming video before sending it along to the TV.

You will also have to decide whether to feed the converter box output to the existing TV's channel 3, or go to the TV's auxiliary audio and video input if it has one.

Another consideration is whether the neighbor's converter have analog pass-through. This would be of importance if the area is served by both digital and analog broadcasters. You might have to rig up a work-a-round with an antenna switch and give instructions on how and when to use it.

With all the announcements being shown, surely everyone with cable or satellite will know that there will be no change in their reception method. There is a possibility of confusion though, as many of the 2008 *digital* channels will change locations on the 2009 radio/TV spectrum.

The last tip was "do your own first." Get a kick out of wiring in the kitchen TV for free, over-the-air, digital reception and learn more for yourself about how these boxes work.